

## Azore

### Island Range 3-Way Tap

The Azore 3-way tap incorporates hot, cold and filtered water all in one convenient tap. When purchasing any FilterLogic™ 3-way tap you will receive a FilterLogic Fortress filter system completely free of charge.

#### Hot and Cold Water

When the right lever is in the upright position the tap is off and water will not flow. For cold water rotate the lever back (*towards the wall*). For hot water rotate the lever forwards (*towards yourself*). Water will continue to flow until the lever is in the original position (*vertical*).

#### Filtered Water

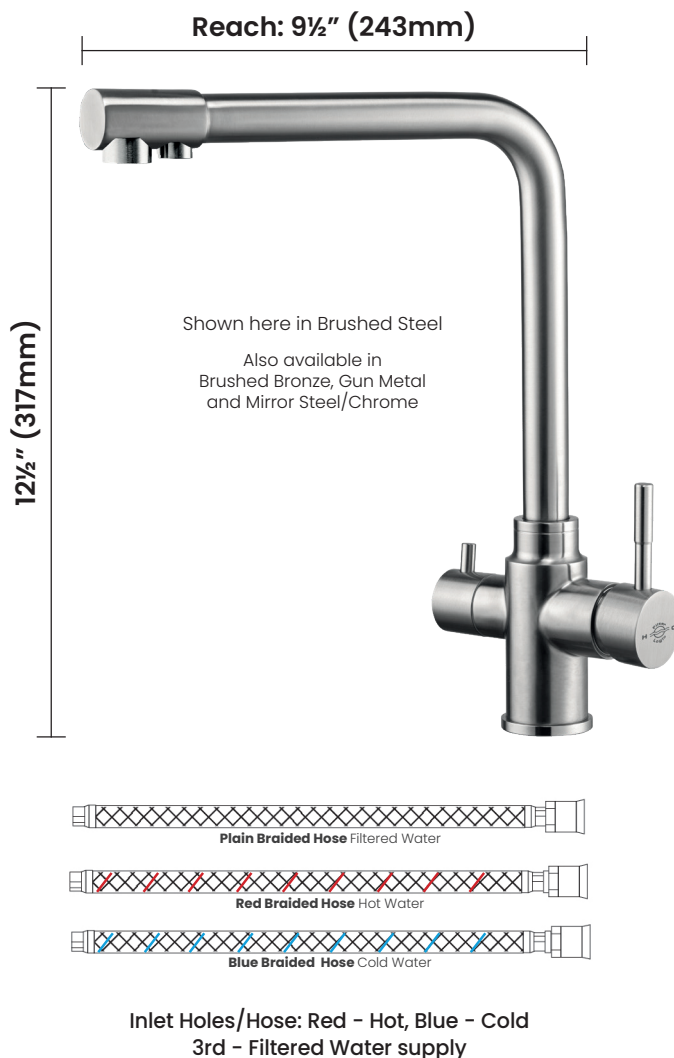
When the left lever is in the upright position the tap is off and water will not flow. To start the flow of filtered water rotate the lever forwards (*towards yourself*). Water will continue to flow until the lever is in the original position (*vertical*).

**Filtered water is delivered through a separate internal line to avoid mixing with unfiltered water.**

**Note:** Less than 3 bar input pressure is preferred as this will reduce water splatter in the sink. Where input pressure exceeds 45psi we recommend fitting a variable pressure reducing valve before installing the tap.

### Technical Specifications

<b>Height</b>	12½"	317mm
<b>Width</b>	5¾"	136mm
<b>Diameter</b>	1¾"	35mm
<b>Reach</b>	9½"	243mm
<b>Shank Height</b>	3⅛"	80mm
<b>Shank Diameter</b>	1¾"	35mm
<b>Maximum Pressure</b>	88 psi	6 Bar
<b>360° Rotation</b>	Yes	
<b>Material</b>	Stainless Steel	
<b>Connection Hoses</b>	½"	12.7mm



### Fortress Filter System

FilterLogic's Fortress filter system:

- > Maintains the pH levels of water
- > Reduces chlorine levels to improve overall taste
- > Removes impurities including: rust, heavy metals and pesticides.

The system incorporates everything needed for quick and easy installation, including the filter cartridge that will last approximately 6 months.

The filter housing is made from BPA free plastic and is 100% recyclable. The carbon block can be broken up and even used within garden soil.

